

# WHITLEY MANUFACTURING

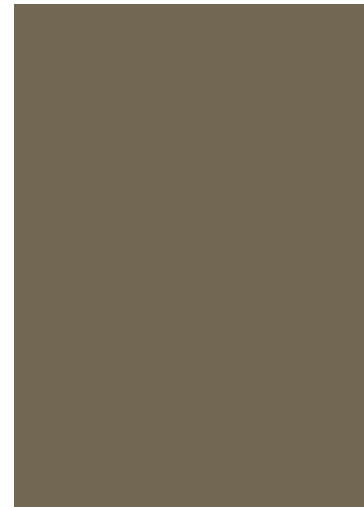


CASE STUDIES • MEDICAL



**FOR:** Hereford Health Ctr.  
**TYPE:** Medical Clinic & Offices  
**WITH:** Satellite Bldg. Sol.

Hereford Hospital is a general service hospital located in the Texas panhandle near Amarillo. It has served a mainly rural community for decades. The on-site hospital also provides clinic space and employs doctors to handle outpatient care for the community.





**WHITLEY  
MEDICAL**

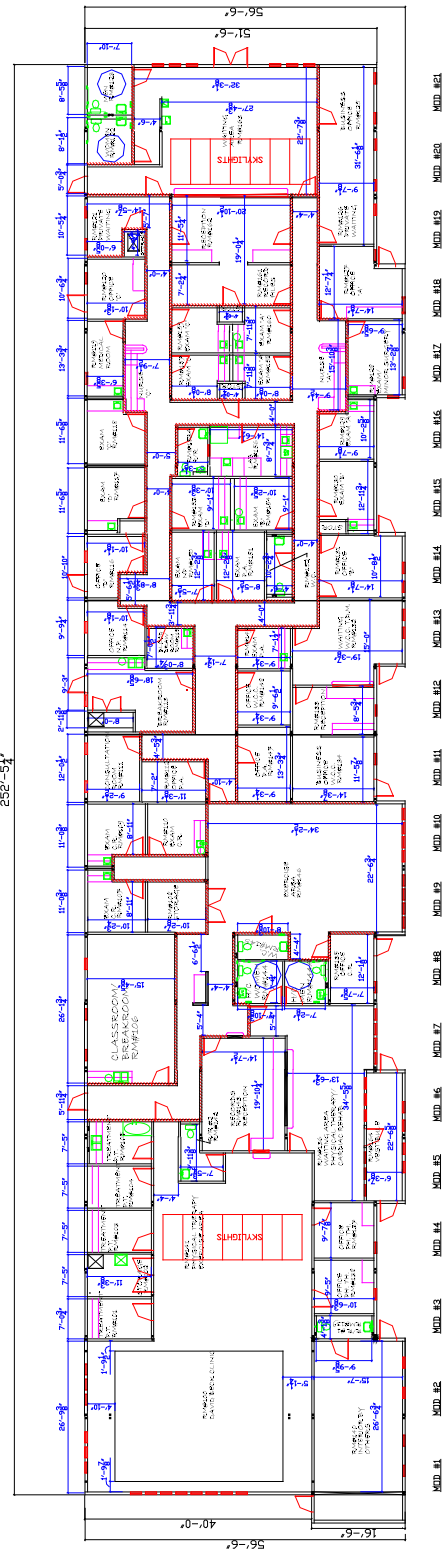
- Dialysis
- MRI
- Hospital
- Clinic
- Medical Office
- Dental

# THEIR NEED

The Texas State Department of Health needed a local office. The Back Clinic had just received a sizeable grant and needed significant square footage. Hereford Hospital had decided that they also needed two or three more doctors on staff. Unfortunately, the old hospital building would not accommodate new offices, so a solution needed to be arrived at quickly. Further, the hospital's long range plans called for an expansion in 10-15 years. The clinic would need to be relocatable as well.

# OUR SOLUTION

The centerpiece of the new facility is a large centrally located back clinic with very high ceilings, skylights, and other touches to make the space as open and bright as possible. We were able to cost-effectively manufacture the building in our plant, then raise the roof at the site. The 14,000 sft. building also houses the TX Dept. of Health offices and provides space for a number of new doctors and administrators.



# Plain

MEDICAL

**Whitley Mfg. Co., Inc.**  
 201 W. First St.  
 So. Whitley, IN 46787  
 (260) 723-5131  
 www.whitleyman.com



- South Whitley, IN
- Rochester, IN
- Marysville, WA